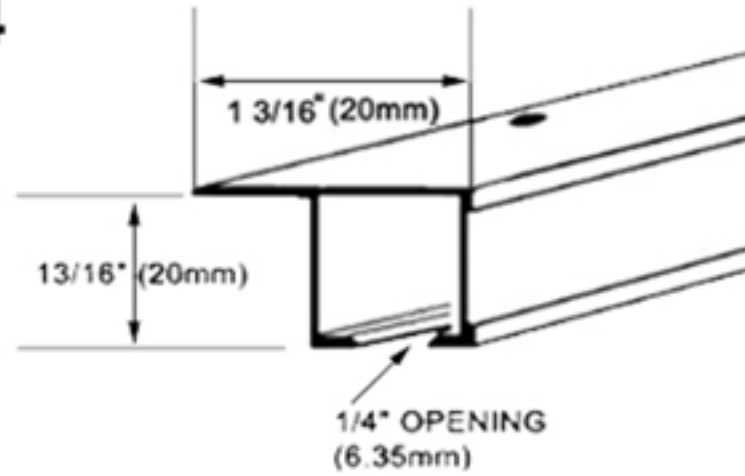


UTILITY TRACK #94004



Utility Channel #94004, used for medium to heavy curtains

Natural Aluminum with mounting flange. Holes approx 20" (50cm) on center.
We will cut to size. Maximum Length 16 ft (4.9mtrs).
Stainless Steel Philips head screws included 3/4" (19mm) long.

Best suited for Porthole, Door & Wheelhouse Curtains. Designed for top mounting, but can be used with wall bracket.

This track can be used where extra strength and durability are required.



9685
Nylon Slide w/Hook



93121
Nylon Snap Slide



92122
Nylon Slide w/Sew on Tab



9406
Nylon Slide



9670
Roller Slide



9684
End Stop Metal



94142
End Cap Plastic



9673
Roller Carrier w/Hook

92141
Ripplefold Snap Carrier
(SNAPS 4 1/4" ON CENTER)

