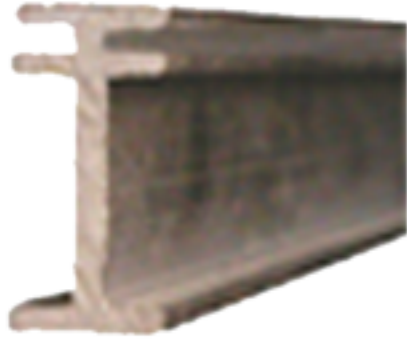
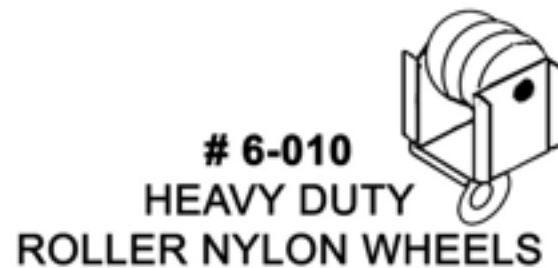
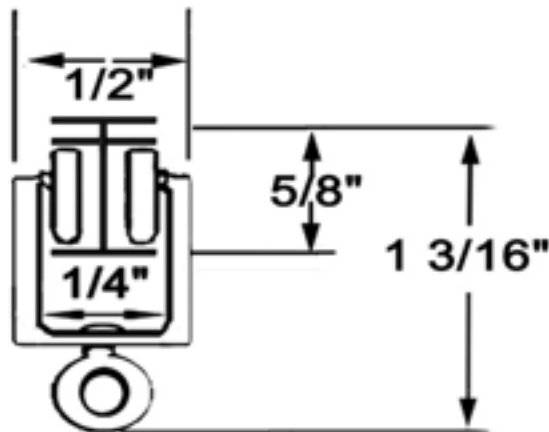


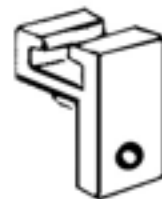
I BEAM, LIGHT-DUTY #6-005



Aluminum I-Beam (Light Duty), 1/2" (12.5mm) wide x 13/16" (16mm) high.
 Natural Aluminum. Requires mounting bracket.
 Custom cut to length. Max, Length 16 ft (4.9mtrs).
 Stainless Steel Philips head screws included 3/4" (19mm) long.
 Best suited for top mounting. Bendable by hand on the job.
 Use for Wheelhouse, or Hospital Curtains.



6-085
 CEILING BRACKET



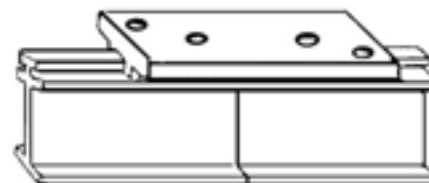
6-120
 END STOP



6-019
 ROLLER W/HOOK



6-016
 SMALL ROLLER



6-311 SPLICE
 WORKS WITH BOTH
 HEAVY & LIGHT DUTY TRACKS